

# Varnasan

CONTROL VALVE TECHNOLOGIES

## SPRING RETURN CHECK VALVE Stainless Steel, Threaded

	PN16	PN40
AISI 304	V-MCS-04-04D	V-MCS-04-07D
AISI 316	V-MCS-05-04D	V-MCS-05-07D

### Design

Size : Varnasan  
 Connection : BSP (DIN 259), NPT (ASME B1.20.1)

### Technical Features

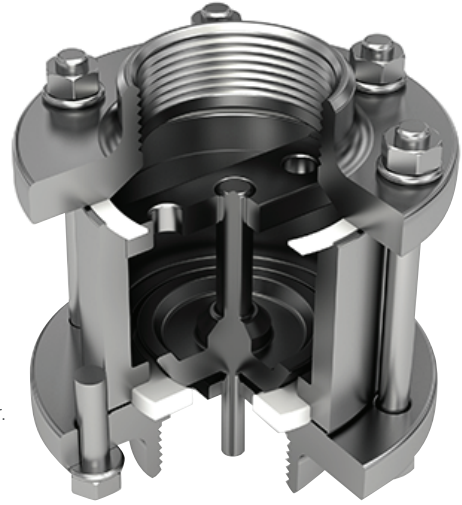
Working Pressure : PN16, PN40  
 Working Temperature : -30°C / +180°C  
 Usage : In practice, the minimum installation pressure should be 3-4 bar.

### Certificate

CE0408, TS EN 10204 3.1, ISO 9001:2015, SIL3

### Application

Corrosive fluids (acids, bases), pharmaceutical raw materials, food, chemical industry, plastic



NO	PART NAME	STAINLESS STEEL VALVE	
1	BODY	AISI 304	AISI 316
2	CAP	AISI 304	AISI 316
3	DISC	AISI 304	AISI 316
4	PRESSURE SPRING	AISI 304	AISI 316
5	SEALING	PTFE	
6	STUD	STAINLESS	
7	NUT	STAINLESS	

TYPE	ÖLÇÜ		CONNECTION SIZE PN16				CONNECTION SIZE PN40			
	DN	L	d	Dü	Dd	Db	d	Dü	Dd	Db
CHECK VALVE-THREADED	DN 15	75	15	18,63	20,96	15	15	18,63	20,96	15
	DN 20	80	20	24,16	26,44	16	20	24,16	26,44	16
	DN 25	90	25	30,29	33,25	19	25	30,29	33,25	19
	DN 32	110	32	38,95	41,91	21	32	38,95	41,91	21
	DN 40	120	40	44,85	47,81	21	40	44,85	47,81	21
DN 50	140	50	56,66	59,62	25	50	56,66	59,62	25	

